

newaire™

Newaire Plugin Advanced Electronic Deodorizing Technology



Part #	NAPLUGIN
Room Capacity	500 sq/ft
Ozone Output	3 mg/hr
Negative Ion Output	750 cc/sec
Color	White
Weight	10 oz
Size	3.5"W x 2.1' D x 5.5"L
Volts/Watts Amp/HZ	120V / 60hHz 3 Watts
Warranty	2years

Odors and indoor air quality are a struggle regardless of the industry you work in. The Newaire Plugin emulates the air that you find by a waterfall or in a forest where the negative ion counts are high and the fresh smell of ozone is in the air. This is a very simple clean technology that allows you to naturally eliminate odors without the use of harsh chemicals throughout your facility.

- 100% Natural Patented Ion Wind Technology
- Destroys Odors 24/7
- Minimal Maintenance
- 15 + Year Life Expectancy
- No Chemicals to Replace
- Silent Operation
- Improves air quality with enhanced ionization
- Two Year Warranty

Looking for "Green Products",? What can be greener than Mother Nature's very own air cleaner.

Queenaire Technologies, Inc.
 9483 State Hwy 37 Ogdensburg, NY 13669
 Tel: 1.315-393-5454 Fax: 1.315-393-5511
 Toll Free: 1.877-646.9663
www.newairepurifiers.com



WE'RE EXPERTS IN THE O'S

What are the Benefits of Using Ozone?

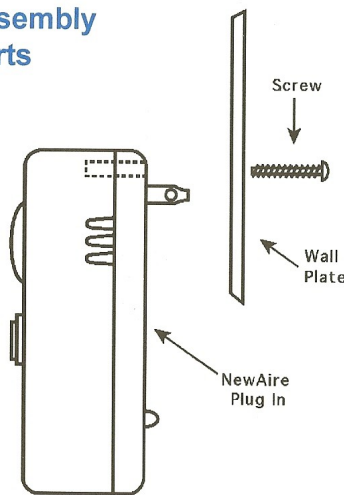
Ozone is very effective in eliminating odors including tobacco smoke, human and pet odors, food odors, mold and mildew odors, garbage odors, renovation odors and much more. It is not a re-odorant. It totally destroys the offending gases that are the source of everything we smell. Unlike many other deodorizing methods, ozone actually searches out and destroys the problem gases. It will react with contaminants in the air, water, fabrics and on other surface of the walls and ceilings. Unlike other types of air purification systems, an ozone generator does not depend on the air passing through the machine to do its job. Ozone generators also produce large quantities of ions via the corona discharge. The ions cause the dust particles to agglomerate, and precipitate from the air leaving a cleaner environment.

What are the benefits of using negative Ions?

The negative ions cause microscopic particles (particulates) floating in a room, that often cause people to have allergic reactions, to clump together and fall to the floor where they can be vacuumed up. This is due to an electrostatic charge between the negative ions and other air molecules and particles in the air. Negative ionizers have been used for years to help rid closed indoor environments of allergens such as dust particles, animal dander, pollen, mold spores, cigarette smoke, cigar smoke, particulate matter, etc. floating in the air. According to the book, *The Ion Effect*, negative ions are effective for allergies, asthma, catarrh, hay fever, sinusitis, eczema, burns, emphysema, and even as a substitute for tranquilizers. It was discovered that negative ions balance serotonin in the body, and this explains why people tend to feel more alert, stable and energized in the presence of negative ions.

Ask For Information on our Optional Security Kit!!!

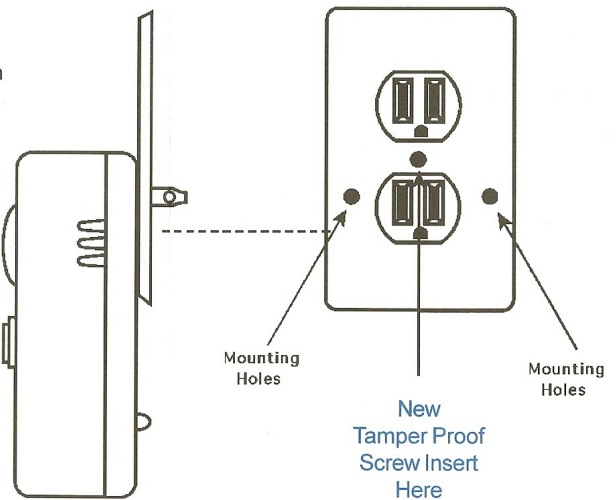
Assembly Parts



To Install Security Kit

1. Remove 2 (upper) screws from back of NewAire Plug In.
2. Attach outlet cover to NewAire Plug In with screws included.
3. Remove existing outlet cover.
4. Replace with NewAire Plug In and security outlet cover.
5. Fasten to electrical outlet with tamper proof screw.

**Unit Ready
For Wall
Mounting**



For More Information Contact:

